

exoROLL®

ROLLER GARAGE DOOR

Designed and Manufactured
by **ecoGARAGEDOORS**

with **SWIFIT®** Design Studio



Introducing the ExoRoll® Roller Garage Door; a pinnacle of engineering ingenuity and manufacturing excellence by Eco Garage Doors. This exceptional roller garage door is purpose built to endure the test of time. With individually designed patented components, the ExoRoll® seamlessly merges form and practicality. Its sturdy deep groove profile not only showcases strength and style but also ensures unparalleled safety and durability for your garage.



Australian designed
and manufactured



Made on our state of the art,
dual-layer rollform machine



Superior deep
profile rigid design



Patented
eSafe-Guide™ design



High quality internal
torsion spring system

Colorbond®

Colorbond® steel
finish curtain



Eco-friendly packaging

SWIFIT®

SwiFit®
Design Studio

ePro-Felt®
MULTILAYER FRICTIONLESS
ROLLING AND SLIDING SYSTEM

eSafe-Guide®
PATENTED FINGER SAFE
LEAD-IN GUIDE SYSTEM

- Factory fitted
- No sharp edges
- No cutting, folding or welding

eOrbital®
DUPLEX TRACK ROLLERS

- Quiet and frictionless

eLok-Seam®
SEAMLESS PANEL
LOCKING SYSTEM

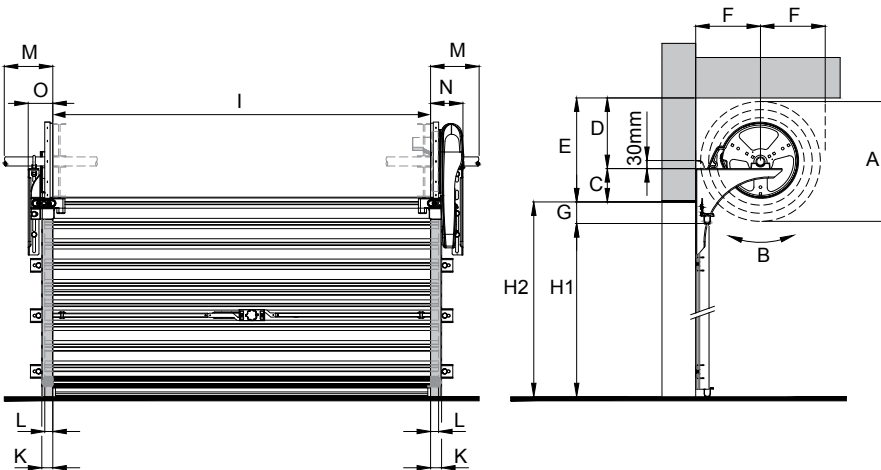
eClick-Fix®
EASY CLICK &
FIX SYSTEM

AUSTRALIAN MADE ROLL
FORM STEEL GUIDE TRACK
MADE BY **ecoGARAGEDOORS**

eQuad®
PREMIUM HEAVY DUTY
COMMERCIAL STRENGTH
BOTTOM RAIL AND WEATHER SEAL



		Total No. of Panels Including pre-roll layer		
		3 panel	4 panel	5 panel
A	Nominal Curtain Diameter	372	408	444
B	Maximum Drum Rotation (Turns)	1.4	2	2.6
C	Nominal Bracket to Lintel	107	125	143
D	Minimum Bracket to Ceiling	231	259	277
E	Minimum Headroom	338	384	420
F	Curtain Center to Front Wall (eS)	206	224	242
	Curtain Center to Front Wall (eD)	223	241	259
G	Lintel to Rubber Seal	80		
H2	Maximum Door Opening Height (Floor to Lintel)*	1750	2580	3100
H1	Maximum Drive Through Height (Floor to bottom of Rubber)*	1670	2500	3020
I	Maximum Width (Door Size) Minimum Width (Door Size)	5550mm 1000mm		
K	Track Width	40		
L	Nominal Panel Overlap Opening Width Each Side	35		
M	Nominal Pole Length (Curtain Edge to Pole)	180		
	Minimum Sideroom (eS)	(N) 125	(O) 95	
	Minimum Sideroom (eD)	(N) 140	(O) 140	



SWIFIT® Design Studio

Made by Eco Garage Doors

The ExoRoll® Roller Garage Doors is made with our patented SwiFit® Design Studio. The SwiFit® design has been engineered and tested by our innovative in-house R&D Design Studio, delivering a roller garage door with industry leading made components, encompassing strength, rigidity, safety and aesthetic appeal that will surpass the length of time.

Where SwiFit® Design Studio is displayed, our partners, suppliers and customers can be ensured we are committed to the following statement:

- ECO Garage Doors remains an Australian Owned and Operated company which focuses on promoting Australian made and supports Australian suppliers
- ECO Garage Doors maintains full control and ownership of our Design and Innovations, Intellectual Properties and Patents
- All Design & Innovations are conducted in-house by ECO Engineering Division with our encompassing focus on Industrial Design, Swift and Easy Fit methodologies

Recommended opener **eco** PRECISION DRIVE RDO

To compliment your ExoRoll® Roller Garage Door the Eco Precision Drive RDO offers a powerful 800N Pull force delivering a smooth, quiet and reliable operation every time.



Scan for colours
and more details



MELBOURNE (Head Office)

181-183 Frankston-Dandenong Rd,
Dandenong South Vic 3175

t: (03) 9703 1500

SYDNEY t: (02) 8417 8117

PERTH t: (08) 6498 7007

ADELAIDE t: (08) 8185 4998

sales@ecogaragedoors.com.au | www.ecogaragedoors.com.au

eco
GARAGE
DOORS
welcome home

Colour swatches and images shown on Eco Garage Doors website and in this brochure have been reproduced to represent actual product colours as accurately as possible. However, we recommend checking your chosen colour against an actual sample of the product before purchasing as varying light conditions and limitations of the printing process may affect colour tones. All garage doors are supplied and installed with a trademark badge. SwiFit®, ExoRoll®, ePro-Felt®, eLok-Seam®, eOrbital®, eSafe-Guide® and eClick-Fix® are registered trademarks of Eco Garage Doors Pty Ltd. ABN 17 486 904 774. SwiFit® AU Patent Appln No. 2021221530. COLORBOND®, BlueScope and ® colour names are registered trademarks of BlueScope Steel Limited. ™ colour names are trademarks of BlueScope Steel Limited. ©Copyright Eco Garage Doors 2024. All rights reserved.

